



Irish Life Sciences  
Consumables for Scientists

# NEW PRODUCT ANNOUNCEMENT

2.2mL square well 'U' bottom plate

Product Code 2.2S96-013U



Irish Life Sciences  
Consumables for Scientists

## About 2.2S96-013U

The 2.2-mL square well 'U' bottom plate (2.2S96-013U) has been developed to enable the base of the well to be in contact with heater-shaker blocks and improves the performance of the process.

The plate is manufactured in Irish Life Sciences' class 8 cleanrooms using a medical-grade polypropylene. This polypropylene helps achieve very low concentrations of extractable elements and has a temperature capability range of -80°C to +121°C.

This plate has been developed precisely to conform to the footprint dimensions defined by SLAS/ANSI standards. This guarantees its compatibility with both manual and automated sample handling systems, readers, and microplate washers.

Irish Life Sciences also offer a version with notches on the sidewall compatible with **Kingfisher® platform (2.2S96-013UKF)**.



**Irish Life Sciences**

Consumables for Scientists

## KEY FACTS:

- Manufactured in ISO Class 8 Cleanroom in Ireland
- Alphanumeric well coding
- High temperature and chemical resistance (-80°C to +121°C)
- Autoclavable
- RNase, DNase Free and Non-Pyrogenic
- Stackable for use in plate & automation hotels
- Stack Height for 2 plates 85.81mm
- Available sterile or non-sterile
- Flat surface for sealing with adhesive and heat seals

## Ordering Information:

- Case Dimensions: 47\*47\*18cm
- Case Weight: 6kg
- Case qty: 50 Plates
- Packsize: 10bags x 5plates
- Standard pallet quantity: 34cases

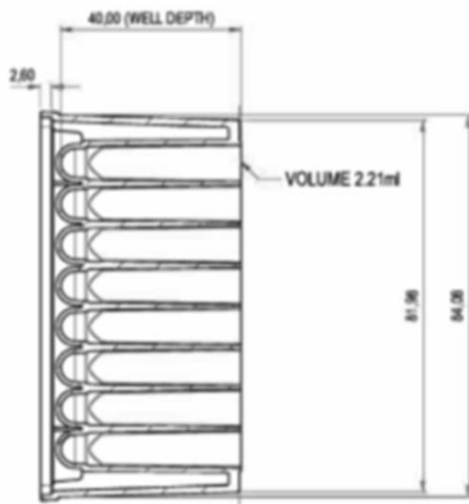
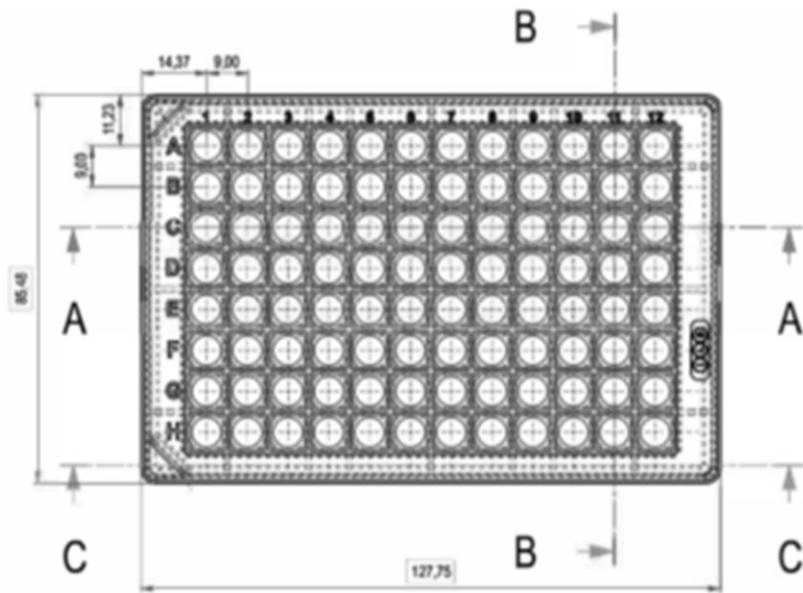
## Contact Us:

Orders: [orders@irishlifesciences.com](mailto:orders@irishlifesciences.com)

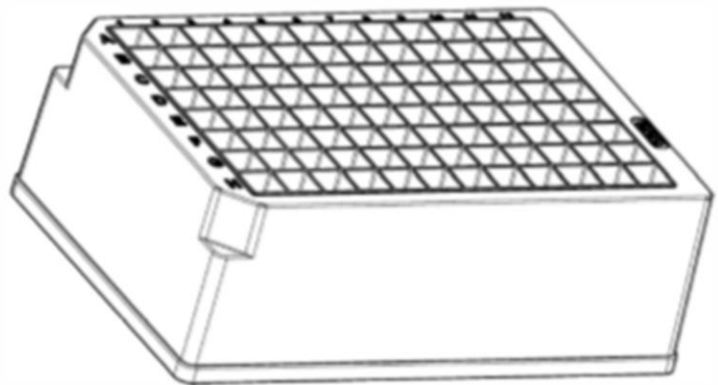
Queries: [info@irishlifesciences.com](mailto:info@irishlifesciences.com)

ILS Part Number	Qty per pack	Wells	Well Bottom	Sterile Part number	Max Volume mL	L	W	H	Well depth	Well diameter	Silicone cap matt
2.2S96-013U	50	96	U	2.2S96-013US	2.2	127.75	85.48	44.5	40	8.24	SM420, SM421, SM425
2.2S96-013UKF	50	96	U	2.2S96-013UKFS	2.2	127.75	85.48	44.5	40	8.24	SM420, SM421, SM425

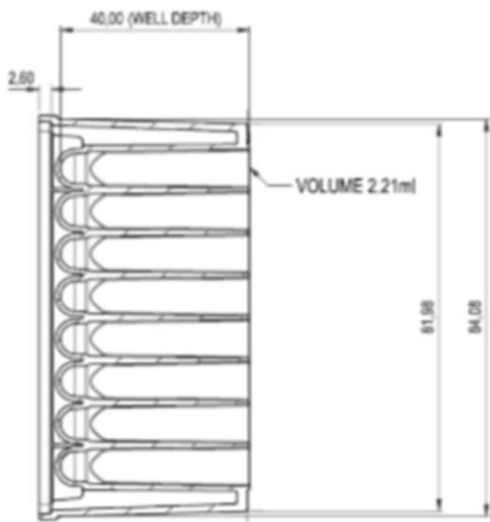
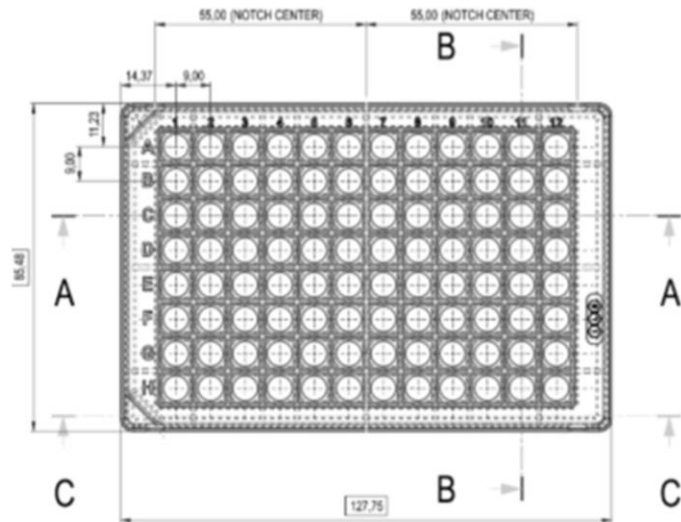
# Product Drawing: 2.2S96-013U



SECTION B-B



# Product Drawing: 2.2S96-013UKF



SECTION B-B

